



2020

KTA SPINDLE TOOLINGS
A Tool Holder Company

www.ktaspindletoolings.com

Quick Change Drilling & Tapping Chuck



QCDA



QCDTC



QCTAH



Check Stock @ Link

<http://119.81.67.54/CRMWebsite/>

[View Current Stock Position.aspx](#)

And send enquiry to the nearest dealer.

KTA Spindle Toolings

Works: 246/9, Hinjawadi, Phase - II Road, Near Swaraj Petrol Pump,
Tal. Mulshi, Dist. Pune. Pin - 411 057 (MAHARASHTRA) INDIA.

Tel. works : + 91 7276031283 | Mobile No. : + 91 9881747423

E-mail : sales@ktaspindletoolings.com | marketing@ktaspindletoolings.com

www.ktaspindletoolings.com

◆ Features :

- With its Appropriate Quick Change Adaptors For Drilling, Counterboring, Reaming & Tapping Operations, is the ideal Quick change system. This system is capable to Perform Economically and with the Highest Accuracy, an Unlimited Number of Operations at a Single Clamping of the Component.
- The Adaptor Locks Automatically in the main body after the insertion, ejects Positively When Required, High Concentricity with no Axial and Radial Play, Extremely Short Movement when Changing the tools, Tool Change can be Effected Safely and Efficiently with the Spindle running up to 2000 r.p.m. or stationery. It can be used for Right Hand or Left Hand Rotations, for Horizontal or Vertical Applications.

◆ Vertical as well as Horizontal Applications :

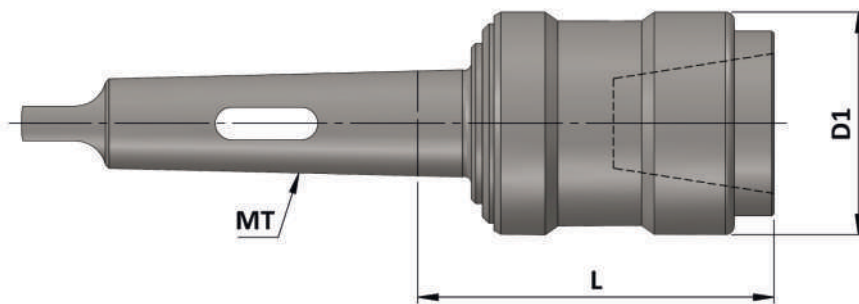
- Center Drilling & Drilling
- Counterboring Chamfering
- Reaming
- Tapping

◆ Best Suitable for :

- Drilling Machines
- Radial Drilling Machines
- Lathe Machines
- Tool Room Milling Machines

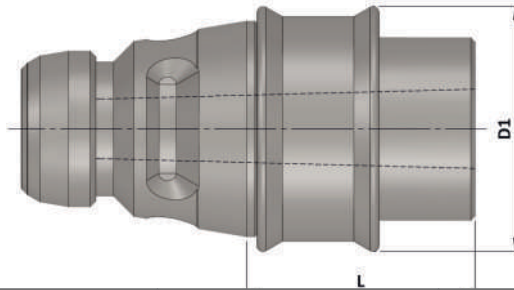
◆ Available In Size :

- QCDTC 3
- QCDTC 4

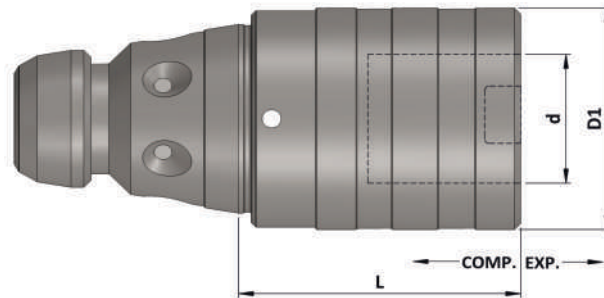


QCDTC - With Morse Taper Shank (MT)

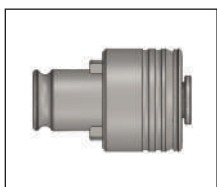
Item Name	Item Code	Suitable Adaptor	D1	L
MT 3 B QCDTC3	K11202231193	SIZE3	60	88
MT 4 B QCDTC4	K11213232193	SIZE4	72	102


QCDA../MT..

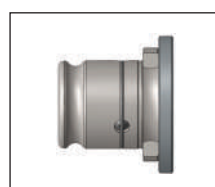
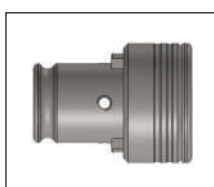
Item Name	Item Code	Suitable Chuck	D1	L
QCDA3 MT 1	K11121237193	QCDC3	50	20.5
QCDA3 MT 2	K11121140193	QCDC3	50	20.5
QCDA3 MT 3	K11121113193	QCDC3	50	38.5
QCDA4 MT 1	K11122237193	QCDC4	60	33.5
QCDA4 MT 2	K11122140193	QCDC4	60	33.5
QCDA4 MT 3	K11122113193	QCDC4	60	33.5
QCDA4 MT 4	K11122114193	QCDC4	60	56


QCTAH../..

Item Name	Item Code	Capacity	Suitable Adaptor	Suitable Chuck	Comp.	Exp.	d	D1	L
QCTAH3 /1	K11126112193	M3 - M12	KWES1B	QCDC3	7.5	7.5	19	36	42
QCTAH3 /2	K11126115193	M8 - M20	KWES2B	QCDC3	12.5	12.5	31	53	66
QCTAH3 /3	K11126116193	M14 - M33	KWES3B	QCDC3	20	20	48	78	126
QCTAH4 /2	K11127115193	M8 - M20	KWES2B	QCDC4	12.5	12.5	31	53	66
QCTAH4 /3	K11127116193	M14 - M33	KWES3B	QCDC4	20	20	48	78	121
QCTAH4 /4	K11127117193	M22 - M48	KWES4B	QCDC4	22.5	22.5	60	96	135

Accessories:


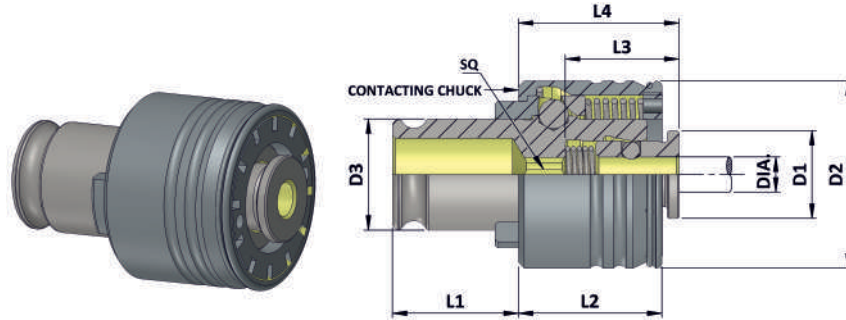
Tap Adaptor KWES..B & KWESK..B



Tap Adaptor Reduction Socket KWRE

For Accessories more Details please visit our website.

Note: All Dimensions are in mm



Tap Adaptor with Safety Clutch (KWES../B)

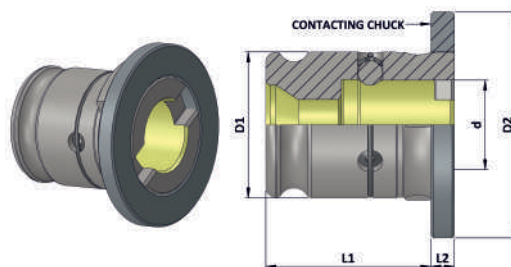
Item Name	Capacity	Shank Dia.	Suitable Chuck Size	D1	D2	D3	L1	L2	L3	L4
KWES 1 B	M3 - M12	3.15 - 11.2	QCTAH3/1	19	32	19	21.5	25	17	25
KWES 2 B	M8 - M20	6 - 18	QCTAH3/2 QCTAH4/2	30	50	31	35	31	30	34
KWES 3 B	M14 - M33	11 - 28	QCTAH3/3 QCTAH4/3	48	72	48	55.5	41	44	45
KWES 4 B	M22 - M48	18 - 36	QCTAH4/4	60	95	60	63	61	71	68

Application :

- Quick Change Tap Adaptor KWES../B are used along with KTA Quick Change Tapping Chuck on CNC Lathe, CNC Milling & Manual Lathe & Drilling Machines.

Features :

- Taps can be changed quickly without additional tooling Support.
- Tap adptor selection depends on :
 - Suitable Tap Adptor Holder (Chuck) Size
 - Tap shank dia & square size.
- Safety cluth protects tap breakages. Blind holes tapping becomes easy.



Reduction Socket (KWRE)

Item Name	Item Code	Suitable Chuck Size	Adaptor Size	d	D1	D2	L1	L2
KWRE 1/0	K11219254193	1	0	13	19	30	21.5	4
KWRE 2/1	K11219249193	2	1	19	31	48	35	5
KWRE 3/1	K11219250193	3	1	19	48	70	55.5	6
KWRE 3/2	K11219251193	3	2	31	48	70	55.5	6
KWRE 4/2	K11219252193	4	2	31	60	92	63	13
KWRE 4/3	K11219253193	4	3	48	60	92	63	13

Note: All Dimensions are in mm